

# Instructions



**040-1698-06**

**Option FP Upgrade Kit**

**TG700 TV Signal Generator Platform**

**075-0806-06**

**Warning**

The servicing instructions are for use by qualified personnel only. To avoid personal injury, do not perform any servicing unless you are qualified to do so. Refer to all safety summaries prior to performing service.

**[www.tektronix.com](http://www.tektronix.com)**



075080606

Copyright © Tektronix, Inc. All rights reserved.

Tektronix products are covered by U.S. and foreign patents, issued and pending. Information in this publication supercedes that in all previously published material. Specifications and price change privileges reserved.

Tektronix, Inc., P.O. Box 500, Beaverton, OR 97077

TEKTRONIX and TEK are registered trademarks of Tektronix, Inc.

# Kit Description

This kit provides parts and instructions to upgrade the system memory of your TG700 TV Signal Generator Platform from 16 or 32 MB to 64 MB (Option FP). You need replace the A10 Main board to upgrade the system memory. The A10 Main board provided in the kit supports firmware version 4.x.

## Products

TG700 all instruments

## Minimum Tool and Equipment List

Required tools and equipment	Part number
Screwdriver handle	---
#2 Phillips tip	---

## Kit Parts List

Circuit/figure number	Quantity	Part number	Description
---	1 ea	671-5803-02	CKT BD ASSY: A10 MAIN
---	1 ea	062-A249-XX	SOFTWARE PACKAGE: CD-R
---	1 ea	334-1377-50	MARKER,IDENT: "040-1698-06 OP-FP 64M"
---	1 ea	075-0806-06	INSTRUCTION SHEET; 040-1698-06 OPTION FP UPGRADE KIT



# Installation Instructions

These instructions are for personnel who are familiar with servicing the product. If you need further details for disassembling or reassembling the product, refer to the *TG700 TV Signal Generator Service Manual* (Tektronix, Inc. part number 070-A800-XX).



---

**CAUTION.** *To prevent static discharge damage, service the product only in a static-free environment. Observe standard handling precautions for static-sensitive devices while installing this kit. Always wear a grounded wrist strap, grounded foot strap, and static resistant apparel while installing this kit.*

---

These installation instructions consist of two main processes:

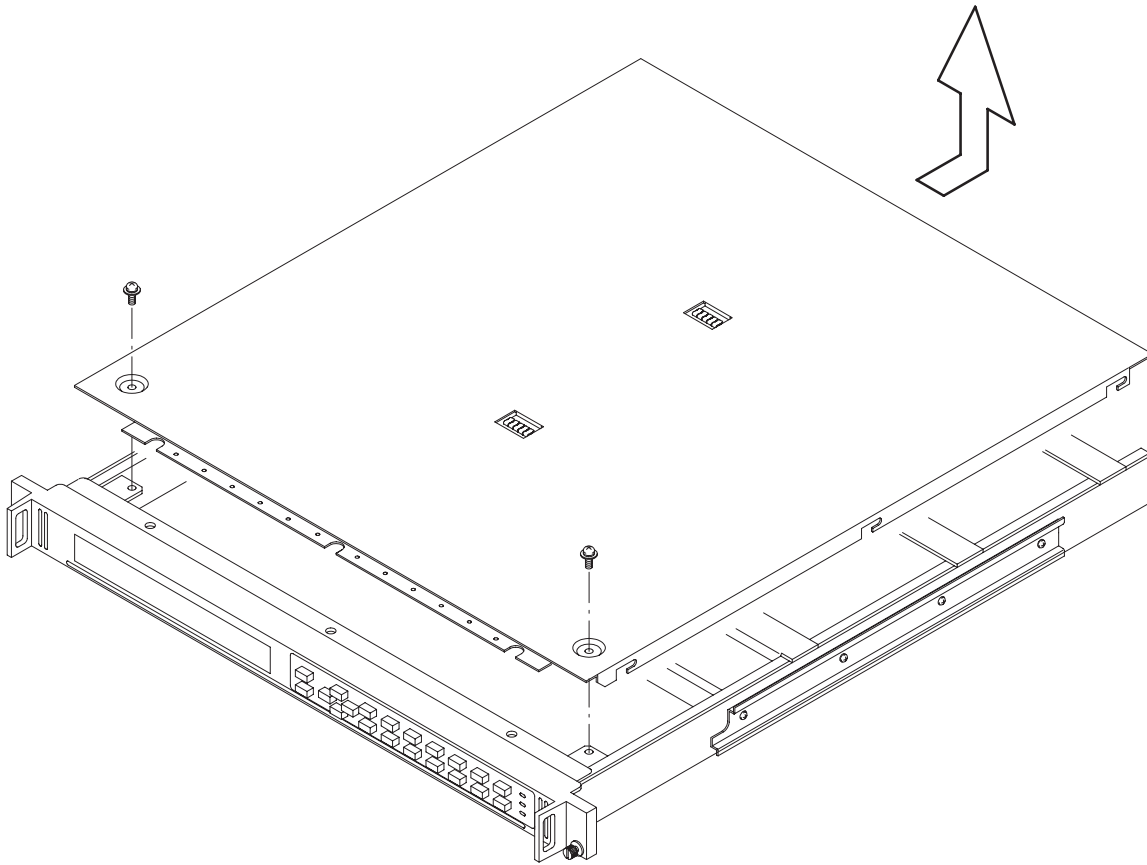
- Replacing the A10 Main board
- Verifying instrument performance

## Replacing the A10 Main Board

Perform the following procedure to replace the A10 Main board:

### Removing the Top Cover

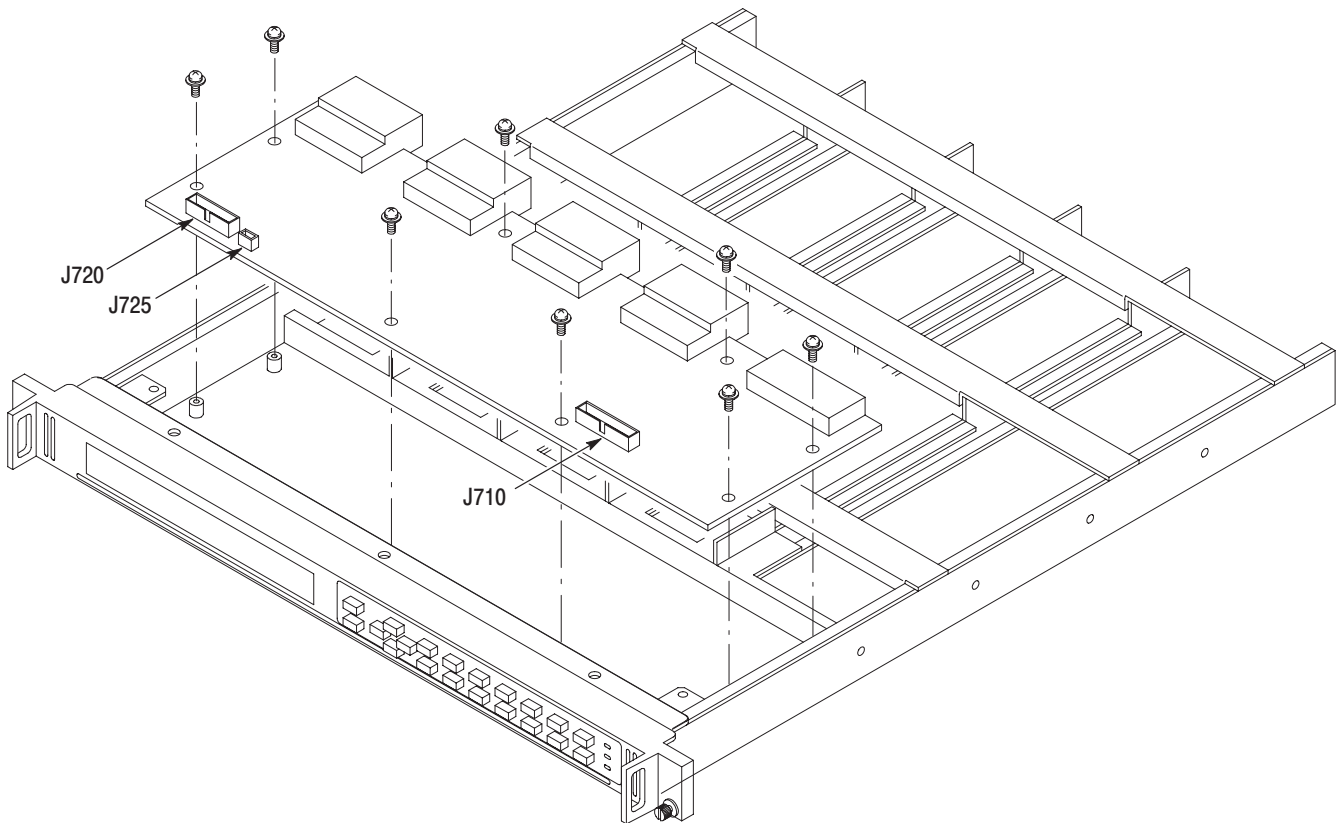
1. Disconnect all external cables and the power cord from the TG700 rear panel.
2. Remove all installed modules and the power supply module from the TG700.
3. Use a screwdriver with a #2 Phillips tip to remove the two screws securing the front of the top cover to the TG700. See Figure 1.
4. Slide the top cover toward the rear and then lift it off the TG700. See Figure 1.



**Figure 1: Removing the top cover**

**Removing the A10 Main Board**

5. Disconnect the cables from the LCD module at J720 and J725. See Figure 2.
6. Disconnect the cable from the A20 Front Key board at J710. See Figure 2.
7. Use a screwdriver with a #2 Phillips tip to remove the eight screws securing the A10 Main board to the chassis. See Figure 2.
8. Lift the board up and away from the chassis to complete the removal.



**Figure 2: Removing the A10 Main board**

### **Installing the Replacement A10 Main Board**

9. Carefully place the replacement A10 Main board provided in the kit in place on the chassis.
10. Use a screwdriver with a #2 Phillips tip to install the eight screws securing the A10 Main board to the chassis.
11. Reconnect J710, J720, and J725 cables to their former connector locations.

### **Installing the Top Cover**

12. Place the top cover on the instrument and slide it toward the front.
13. Use a screw driver with a #2 Phillips tip to install the two screws securing the front of the top cover to the instrument.
14. Remove the protective backing from the kit label (p/n: 337-1377-50) and place it on the right side of the instrument (just below the serial number label).

## Verifying Instrument Performance

After you have installed the board in this kit, do the performance verification procedure for the generator module as described in the *TG700 TV Signal Generator platform Service Manual* (Tektronix, Inc. part number 070-A800-XX).